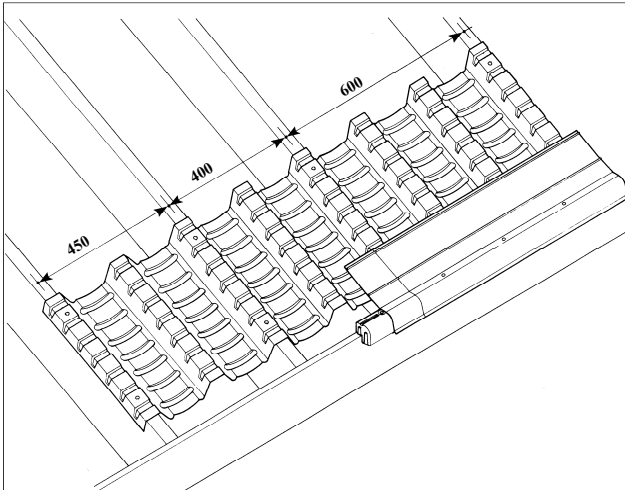




FIXING INSTRUCTIONS

10mm / 25mm EAVES VENT SYSTEM – 6 metre pack



EAVES ROLL

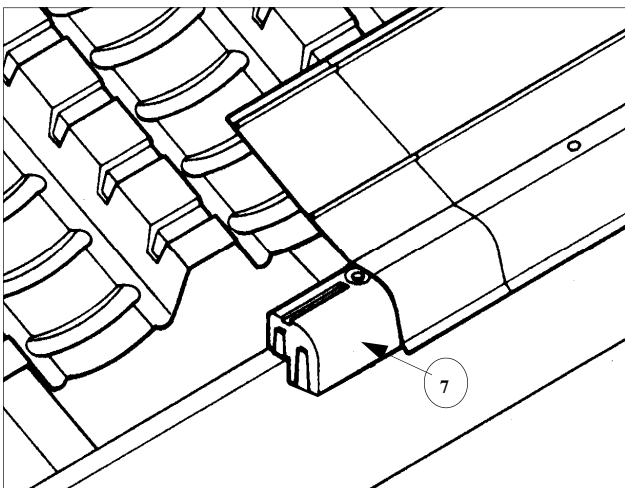
1. Locate and nail one end of the panel over the roof rafter.
2. The formation will easily drop onto the rafters at 400mm and 600mm centres.
3. By pulling to extend the length of the panel it may also be attached to rafters at 450mm centres.
4. Subsequent panels should overlap on the rafter fixing.

OVERFASCIA VENTILATORS

5. The fascia board should be fixed lower than normal to allow for the ventilator, 15mm for the 10mm system and 27mm for the 25mm system.
6. Attach the selected ventilator to the top edge of the fascia board ensuring each vent is connected to the adjacent unit.

FELT SUPPORT TRAY

7. Position the felt support tray over the fascia vent. Align the nail guide groove at the ends with the slot in the fascia vent and nail through the vent into the top edge of the board. Nail at approximately 400mm centres, or alternatively, fix to the rafters at the top edge of the felt support tray.



NOTES:

The underlay, when laid over the felt support tray, should overlap by 150mm.

If a comb filler is specified, the nail groove in the top face of the felt support tray will indicate the position to place nails which will then pass through the fascia vent.

The felt support tray is suitable for all roof pitches of 17.5° and above. for pitches below 17.5° please consult Tapco Roofing Products' Technical Department.

10mm Eaves Vent System consists of: 10mm over fascia vent strip, rafter roll and felt support tray.

25mm Eaves Vent System consists of: 25mm over fascia vent strip and felt support tray.

