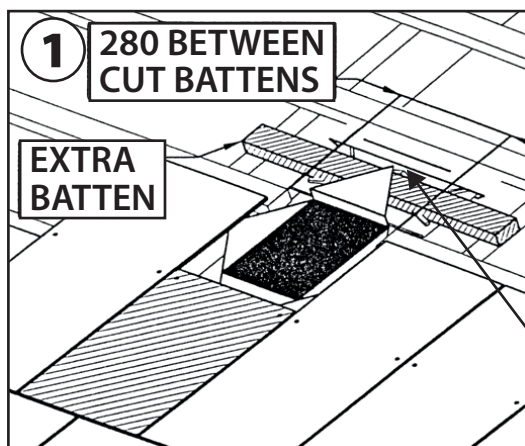


# Fixing Guide

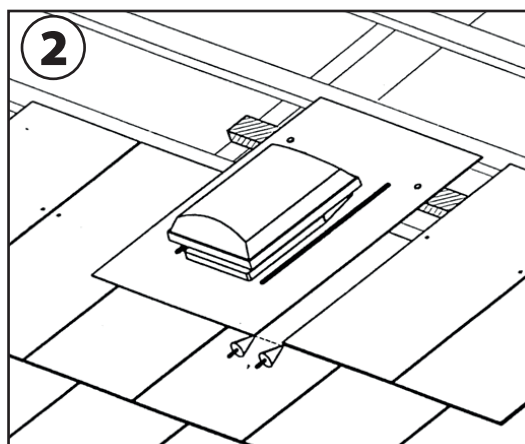
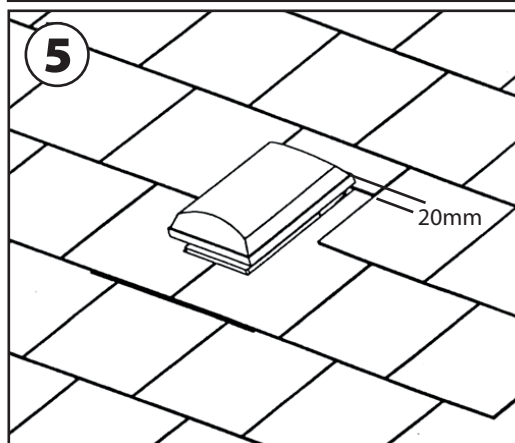
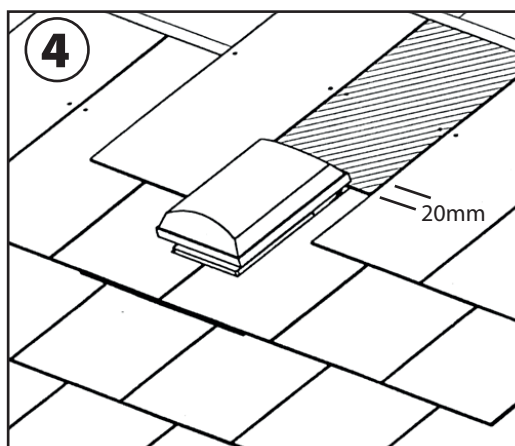
## Universal Cowl Soaker Slate Ventilator

Universal cowl soaker slate ventilators are suitable for roof pitches of between 15° and 60°. For pitches above and below this please contact our technical department.



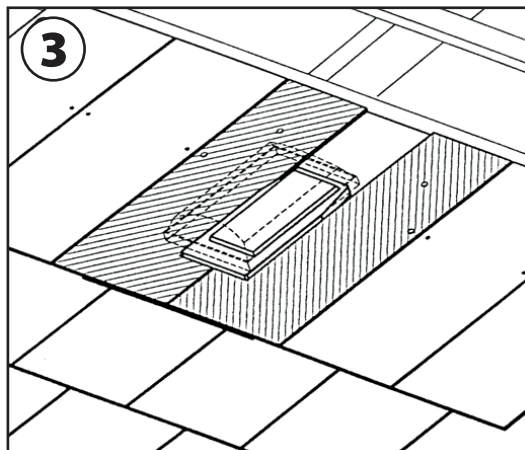
1. Lay slates to the required position of the ventilator. Cut the slate directly below the ventilator so that it does not protrude past the slate batten. Cut a 280mm wide gap in the batten at the head of the slate as shown.

1a. Make a slit in the underlay above the tile batten, slide the underlay protector under the batten and into the slit until the upstand of the underlay protector is against the back of the batten.



**NOTE:** Ensure the ventilator is not directly above a rafter and the batten cantilever is not excessive. Cut the underlay with two diagonal cuts as shown, fold back to ensure a free airpath for the ventilator, fit underlay protector (as diagram 1).

2. Position the ventilator central on the slates below and level with adjacent slates. Nail the ventilator in position.
3. Cut two "L" shaped slates to fit either side of the ventilator so that they neatly abut the cowl upstand. Hole each formed slate piece as shown ensuring that it is twice fixed to the battens. Continue slating.
4. Lay the next course of slates cutting the slate directly above the ventilator cowl as required.
5. Inspect the junction and security of the ventilating unit and adjacent slating before laying further courses.



SHADED AREAS INDICATE CUT TILES